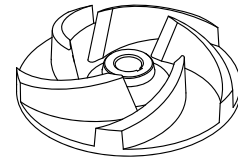


HYDROPOMPE

HYDRO SERIES

15MAP-20MAP-20TAP

DOUBLE
OPEN IMPELLER



60 Hz

2 POLE

USE

Submersible electric pumps suitable for the lifting of clear and dirty water. They can be used as portable pumps either in building yards, basement tanks or for fixed installation with electric panel and float switch.

MATERIALS

Cover

Anticorodal aluminium alloy

Motor housing

Aluminium alloy EN-AW 6060

Pump housing

Anticorodal aluminium alloy

Strainer

Anticorodal aluminium alloy

Wear plate

Stainless steel AISI 304

Impellers

Cast iron EN GJL 200 (UNI EN 1561)

Mechanical seal

Silicon Carbide/Silicon Carbide (SiC/SiC)

Motor shaft

Stainless steel AISI 431

Bolts and nuts

Stainless steel Grade A2

Cable

10 meters type H07RN-F

Single-phase with 4G2,5mm² cable, capacitor box and SCHUKO (CEE 7/VII) plug

Three-phase with 4G1,5mm² cable

LIMITS TO USE

Max temperature of the liquid pumped

+40°C

pH of the liquid pumped

5÷8

Max immersion depth

20 m

Liquid density

1,0 kg/dm³

Min immersion depth for continuous service

331 mm

Free passage

6 mm

Max number starts/hour

20

Acoustic pressure level issued

<70dB(A)

MOTOR

The electric motor is asynchronous with squirrel cage rotor in oil bath

Class of insulation F

Protection degree IP68

2pole; 60Hz

Main voltage values and relative tolerance in relation to the rated voltage value:

SINGLE-PHASE

230V ±6%

built-in overheating protection and float switch

THREE-PHASE

230V ±10%

400V ±10%

Other voltages on request.

OTHER FEATURES ON REQUEST


Frequency 50 Hz (*see specific catalogue*)

Other voltages

With food grade white oil

TECHNICAL DATA

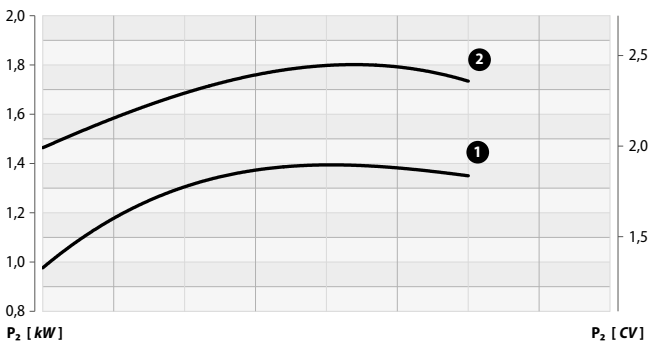
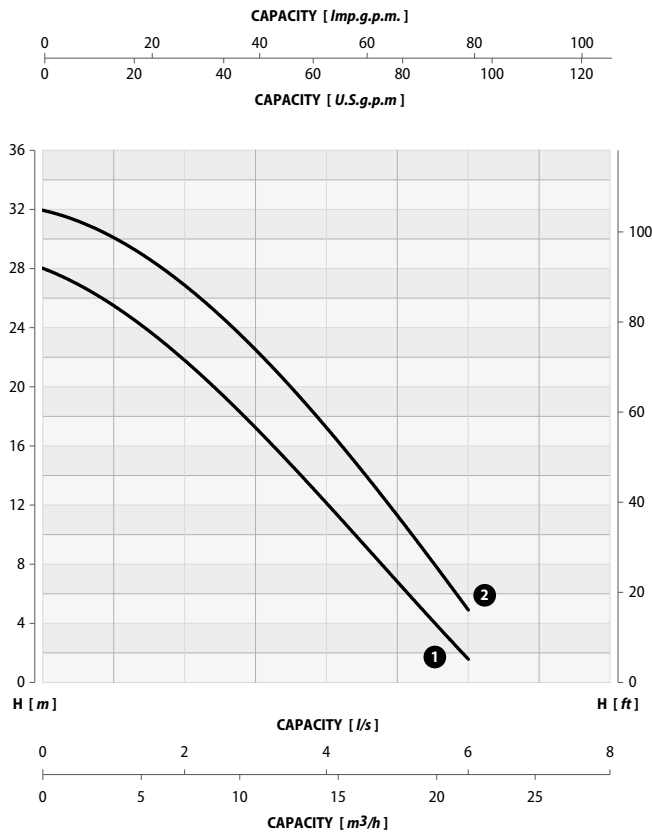
MODEL	P1 kW	P2		VOLTAGE V	CURRENT A	CAPACITOR		CABLE m	WEIGHT kg
		kW	CV			µF	V		
15MAP	2,2	1,40	1,90	230 (1~)	12,0	25	450	10	22
20MAP	2,4	1,80	2,40	230 (1~)	14,0	30	450	10	25
20TAP	2,4	1,80	2,40	230/400 (3~)	8,0/4,6	-	-	10	22

HYDRO SERIES	15MAP-20MAP-20TAP		DOUBLE OPEN IMPELLER	60 Hz
				2 POLE

PERFORMANCE RANGE

		CAPACITY							
<i>l/s</i>	0	1,0	2,0	3,0	4,0	5,0	6,0	7,0	
<i>m³/h</i>	0	3,6	7,2	10,8	14,4	18,0	21,6	25,2	
<i>l/min</i>	0	60	120	180	240	300	360	420	

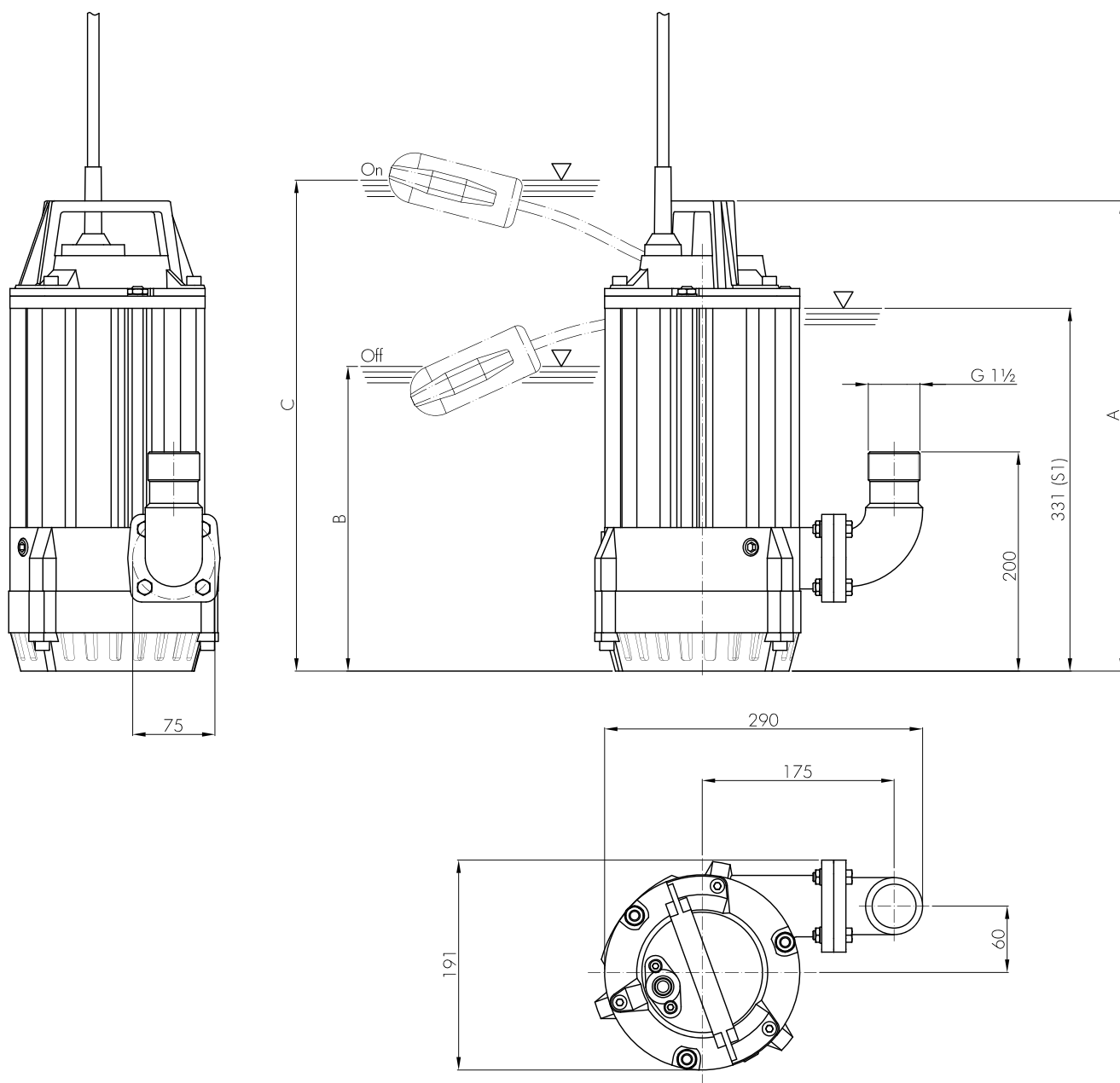
MODEL	CURVE <i>N°</i>	HEAD <i>m</i>							
		15MAP	1	28,0	25,5	22,0	17,0	12,1	7
20MAP	2	32,0	30,0	26,9	22,5	17,5	11,0	5	-
20TAP									




Performance tolerance in according to UNI/ISO 9906 Grade 3B

HYDRO SERIES**15MAP-20MAP-20TAP****DOUBLE OPEN IMPELLER****60 Hz****2 POLE****INSTALLATION DIMENSIONS**

	A	B	C
15MAP	429		
20MAP			
20TAP			
15MAP/G	469	~250	~570
20MAP/G			



HYDRO SERIES	15MAP-20MAP-20TAP		DOUBLE OPEN IMPELLER	60 Hz
				2 POLE

NOTES



Area with horizontal dashed lines for writing notes.

 Changes reserved

02/2019