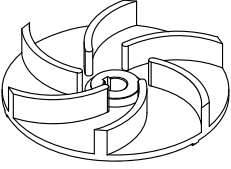


HYDROPOMPE	VORTEX IMPELLER	DN 80
FV SERIES		60 Hz
814/16 - 824/22 834/31 - 854/55		4 POLE

USE

Submersible electric pumps particularly suitable for pumping industrial sewage, screened waste water and mud in the pumping stations. They can be used also to lift clear and dirty water and rain water.

MATERIALS

Motor housing

Cast iron EN GJL 250 (UNI EN 1561)

Pump housing

Cast iron EN GJL 250 (UNI EN 1561)

Bearing housing

Cast iron EN GJL 250 (UNI EN 1561)

Impeller

Cast iron EN GJL 250 (UNI EN 1561)

Mechanical seal motor side

Graphite/Ceramic

Mechanical seal impeller side

Silicon Carbide/Silicon Carbide (SiC/SiC)

Base frame

Stainless steel AISI 304

Motor shaft

Stainless steel AISI 420

Bolts and nuts

Stainless steel Grade A2

Cable

10 meters type H07RN-F

814/16; 824/22; 834/31 with 7G1,5mm² cable

854/55 with 7G2,5mm² cable

LIMITS TO USE

Max temperature of the liquid pumped

+40°C

pH of the liquid pumped

6÷10

Max immersion depth

20 m

Liquid density

1,0 kg/dm³

Min immersion depth for continuous service

500 mm

Free passage

80 mm

Max number starts/hour

20

Acoustic pressure level issued

<70dB(A)

MOTOR

The electric motor is asynchronous with squirrel cage rotor in dry chamber

Class of insulation F

Protection degree IP68

4pole; 60Hz

Main voltage values and relative tolerance in relation to the rated voltage value:

THREE-PHASE

400V ±10%

Other voltages on request.

OTHER FEATURES ON REQUEST

Frequency 50 Hz (*see specific catalogue*)

Other voltages

SECURITY

Thermal probes in the winding

Conductivity probe in the oil chamber

CARATTERISTICHE TECNICHE

MODEL	P1	P2		VOLTAGE V	CURRENT A	CABLE m	WEIGHT kg
	kW	kW	CV				
814/16	2,3	1,6	2,2	400 (3~)	4,1	10	83
824/22	2,9	2,2	3,0	400 (3~)	5,6	10	85
834/31	4,0	3,1	4,2	400 (3~)	7,8	10	89
854/55	6,8	5,5	7,5	400 (3~)	12	10	100

FV SERIES

814/16 - 824/22
834/31 - 854/55



VORTEX IMPELLER

DN 80

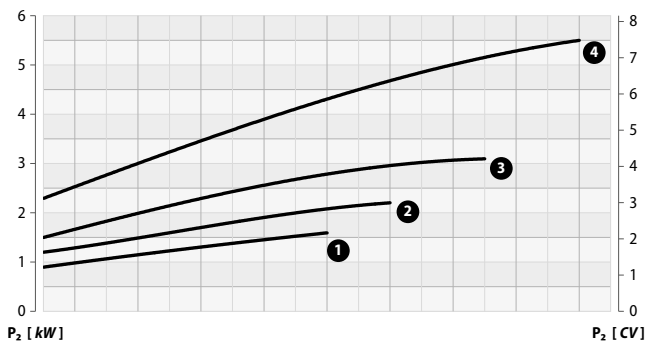
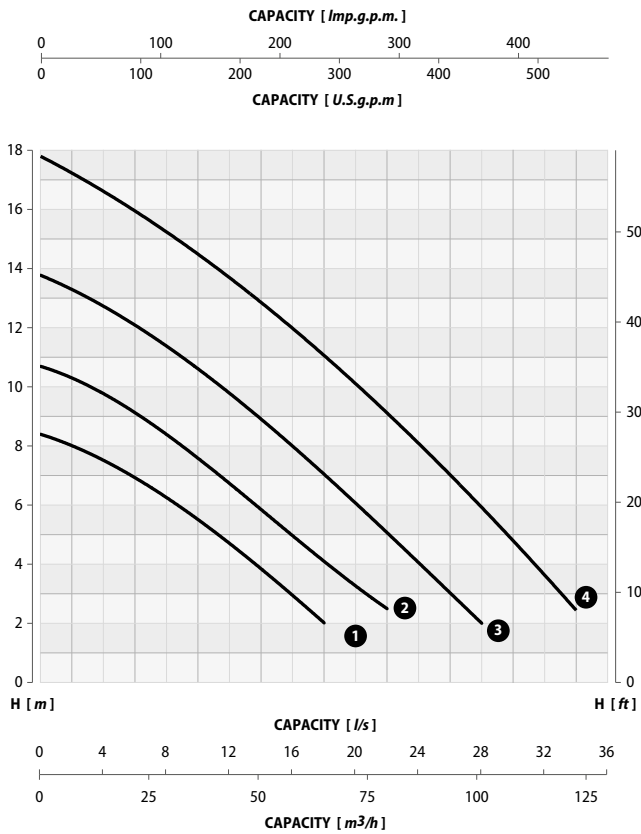
60 Hz

4 POLE

PERFORMANCE RANGE

		CAPACITY															
	l/s	0	6	8	10	12	14	16	18	20	22	24	26	28	30	32	34
	m ³ /h	0	21,6	28,8	36,0	43,2	50,4	57,6	64,8	72,0	79,2	86,4	93,6	101,0	108,0	115,2	122,4
	l/min	0	360	480	600	720	840	960	1080	1200	1320	1440	1560	1680	1800	1920	2040

MODEL	CURVE N°	HEAD m															
		8,4	6,9	6,3	5,5	4,7	3,8	3,0	2,0	-	-	-	-	-	-	-	-
814/16	1	8,4	6,9	6,3	5,5	4,7	3,8	3,0	2,0	-	-	-	-	-	-	-	-
824/22	2	10,7	9,1	8,4	7,6	6,7	5,9	5,0	4,0	3,3	2,5	-	-	-	-	-	-
834/31	3	13,8	12,0	11,4	10,6	9,8	9,0	8,0	7,0	6,1	5,0	4,0	3,1	2,0	-	-	-
854/55	4	17,8	15,9	15,3	14,5	13,7	12,9	11,9	11,1	10,1	9,1	8,0	7,0	6,0	4,9	3,6	2,4



Performance tolerance in according to UNI/ISO 9906 Grade 3B

FV SERIES

**814/16 - 824/22
834/31 - 854/55**



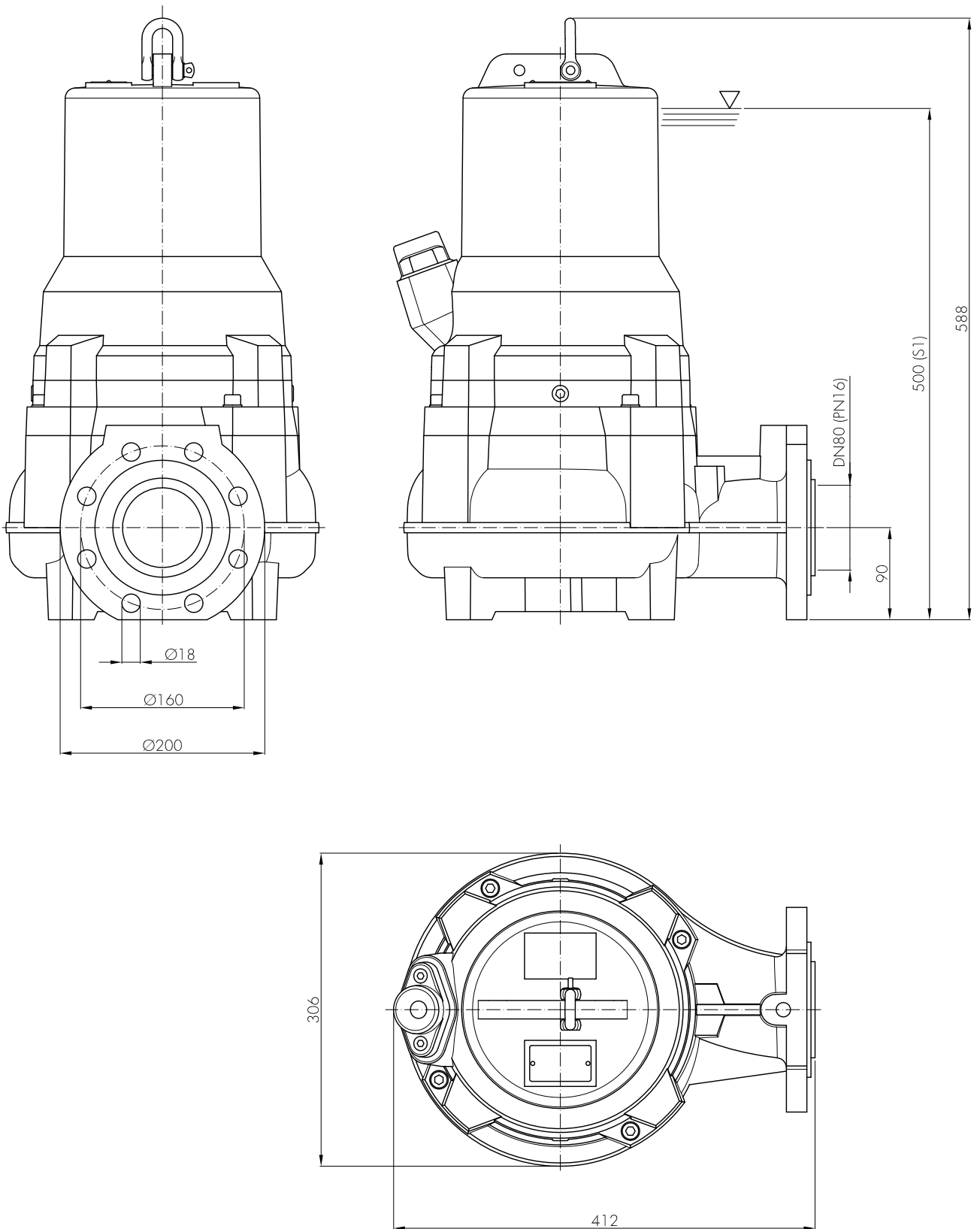
VORTEX IMPELLER

DN 80

60 Hz

4 POLE

INSTALLATION DIMENSIONS



SERIE FV

814/16 - 824/22
834/31 - 854/55



VORTEX IMPELLER

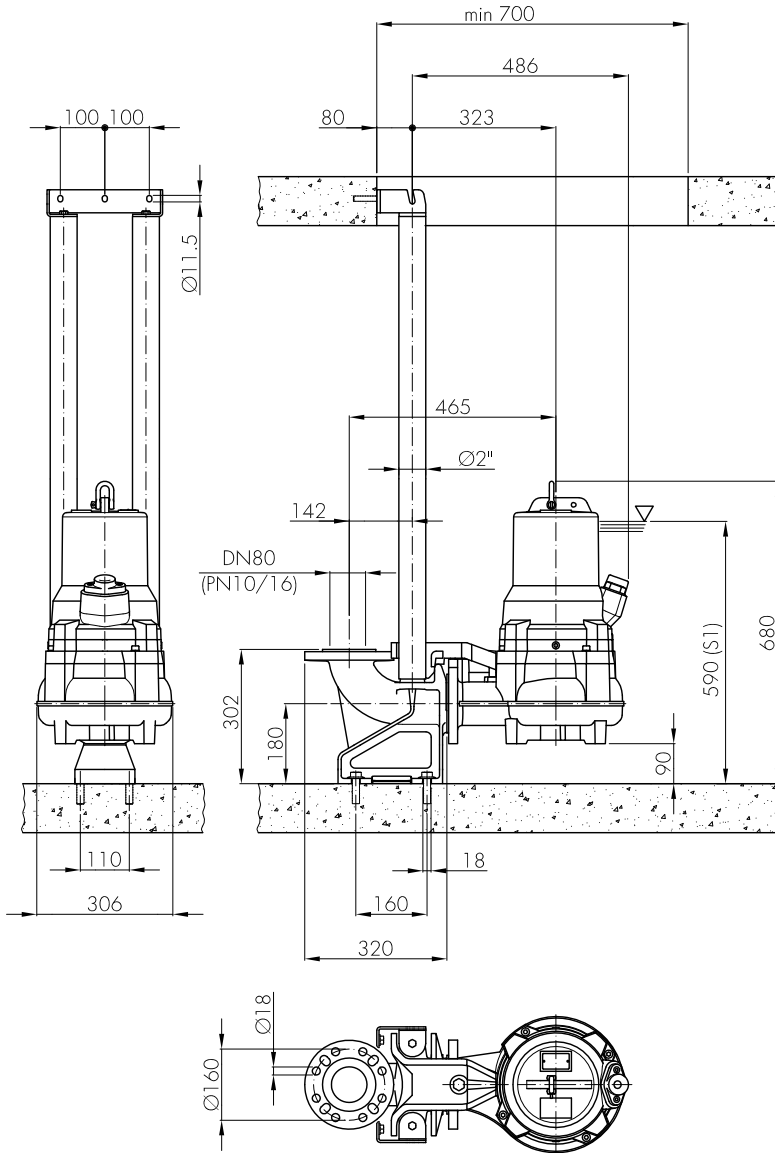
DN 80

60 Hz

4 POLE

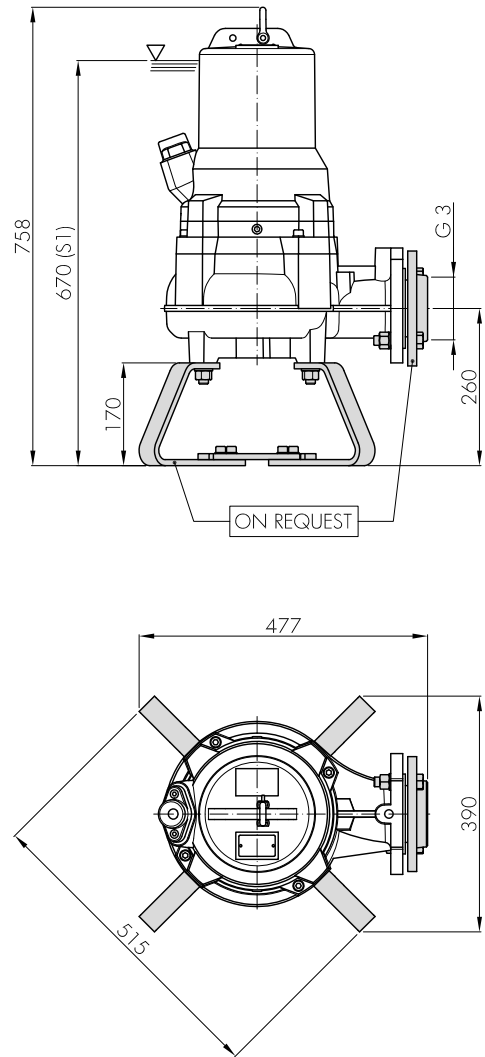
PERMANENT INSTALLATION WITH COUPLING SYSTEM

It is the recommended installation for the permanent pumping station. The electric pump is guided by two pipes and it is connected automatically to the coupling system. The quick connection ensures that the pump can be easily removed and re-installed.



PORTABLE INSTALLATION

Transportable as emergency pump with connection to the hose and for free installation in the well.



NOTES



.....

i Changes reserved

02/2019